

PRODUCT SPECIFICATIONS:

SHOWER TYPE: Fixed Shower Head
with Swivel Joint

FINISH: Chrome

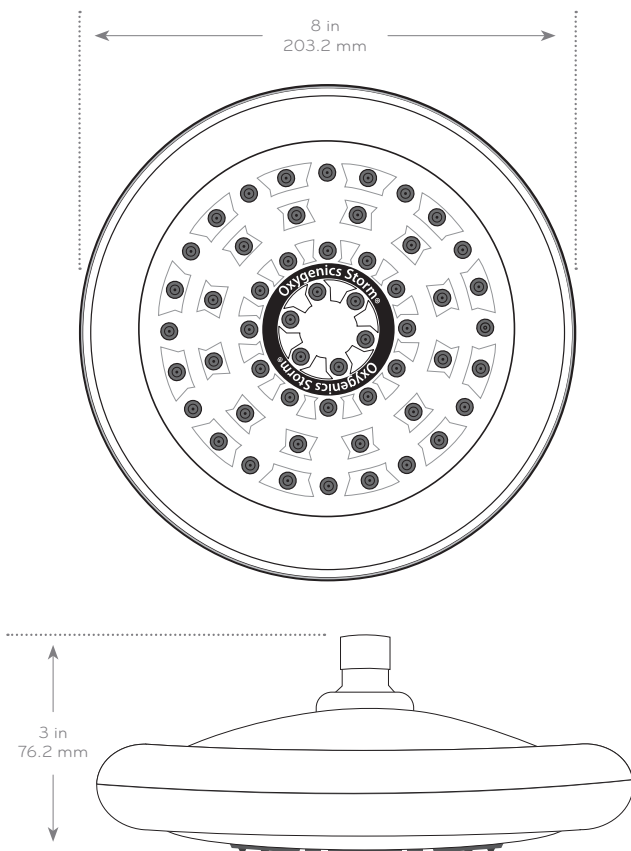
DIMENSIONS: 203mm x 203mm x 70mm

WEIGHT: 907 g

FLOW RATE: 1.75 Model
(<7 Litres @ 5.5 Bar/ <6 Litres @2.5Bar)

MINIMUM PRESSURE: 1.5 Bar

MAXIMUM PRESSURE: 7.2 Bar



“Never Clog!” Guarantee

Life Time Warranty Never to clog with Lime Scale

IN THE BOX:

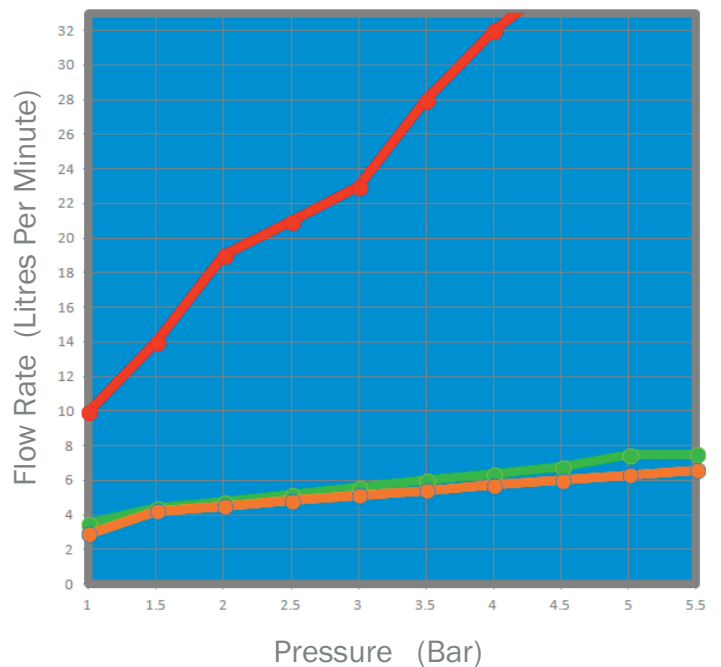
Showerhead, Shower Hose

SETTINGS:



Oxygenated
Rain

WATER USAGE CHART:



Standard
Shower

Oxygenics UK
1.75 Models

For more information visit
www.oxygenics.co.uk