

PRODUCT SPECIFICATIONS:

SHOWER TYPE: Fixed Shower Head with Flow Control and Swivel Joint

FINISH: Chrome

DIMENSIONS: 47mm x 47mm x 95mm

WEIGHT: 159 g

FLOW RATE: 2.50 Model
(<9.5 Litres @ 5.5 Bar/ <6 Litres @2.5Bar)

MINIMUM PRESSURE: 0.5 Bar

MAXIMUM PRESSURE: 7.2 Bar

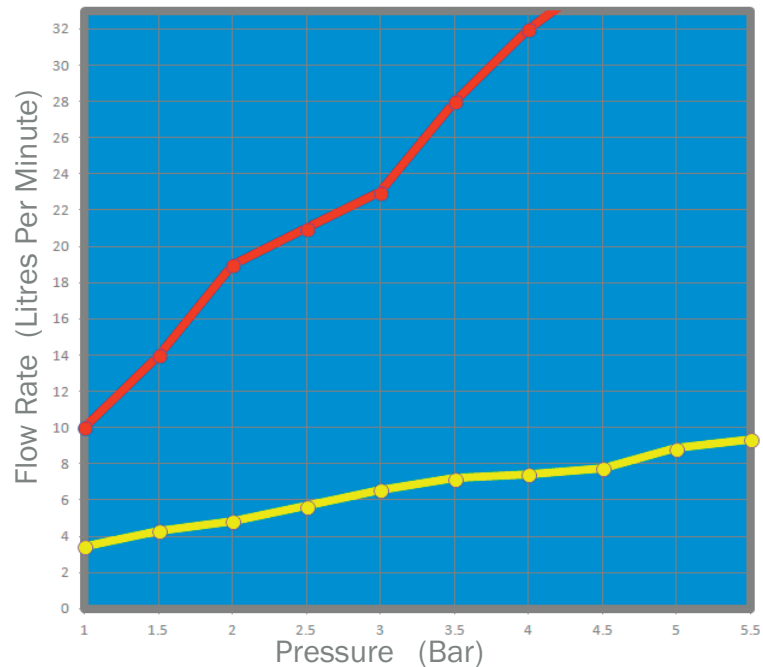
IN THE BOX:

Showerhead, Plumber's Tape

SETTINGS:

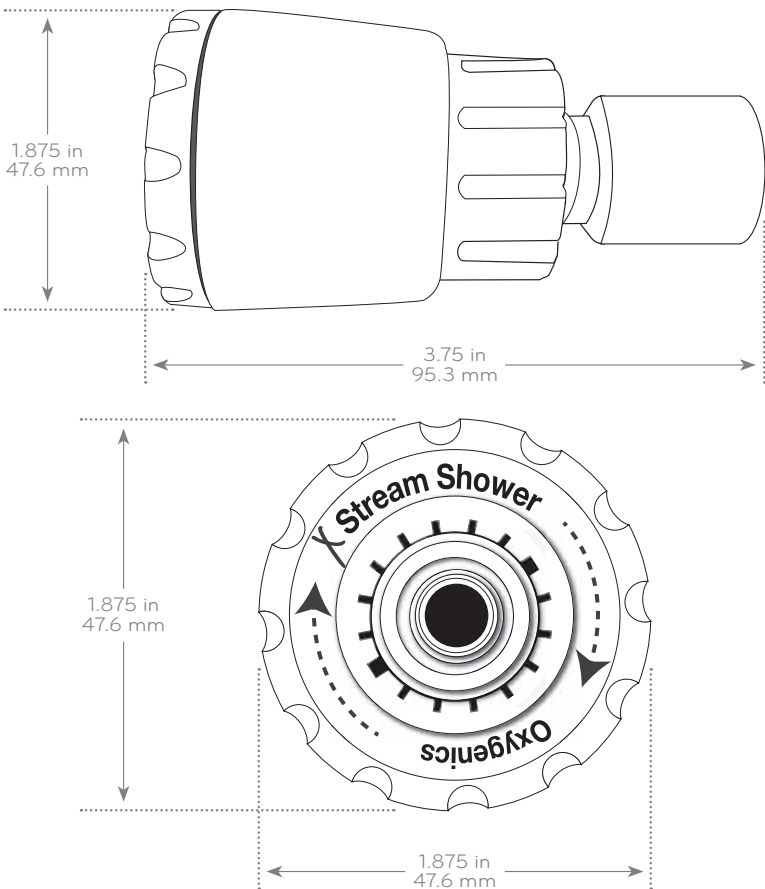


WATER USAGE CHART:



Standard Shower

Oxygenics 2.50 Models



“Never Clog!” Guarantee

Life Time Warranty Never to clog with Lime Scale

For more information visit
www.oxygenics.co.uk